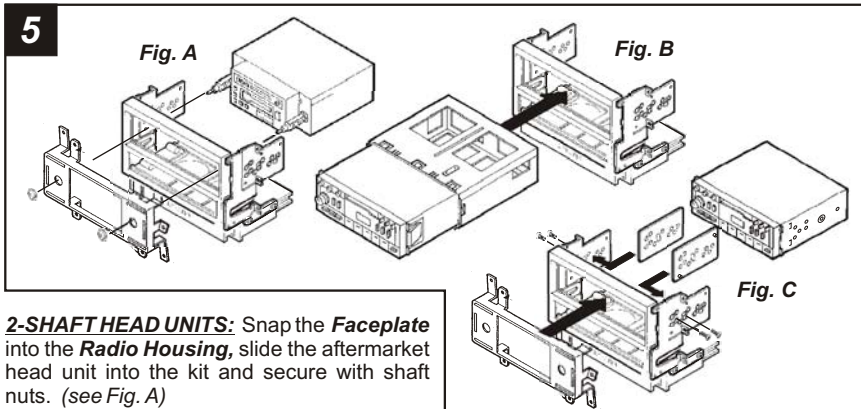


ALL VEHICLES

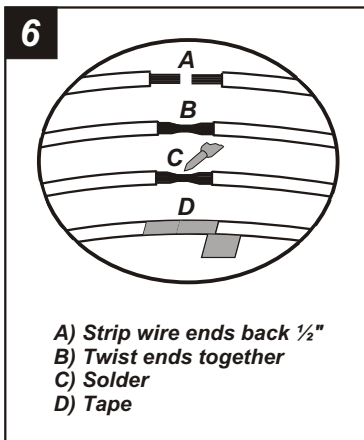


2-SHAFT HEAD UNITS: Snap the **Faceplate** into the **Radio Housing**, slide the aftermarket head unit into the kit and secure with shaft nuts. (see Fig. A)

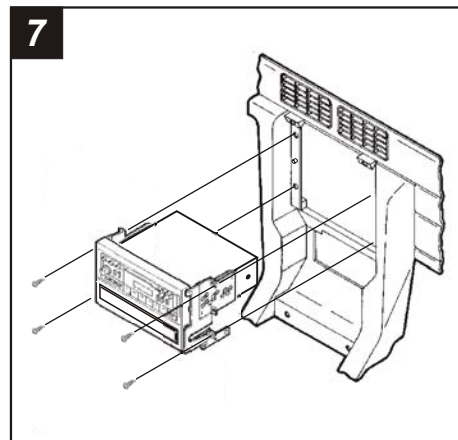
DIN HEAD UNITS: Slide the DIN cage into the Housing and secure by bending the metal locking tabs down. Slide the aftermarket head unit into the cage until secure. (see Fig. B)

ISO-DIN HEAD UNITS: Cut and remove the shaft supports from the **Faceplate**. Snap the Faceplate into the Housing and attach the **ISO-DIN Spacers** to the inner walls of the **Mounting Brackets** by inserting the Spacer pegs into the Bracket holes. Slide the aftermarket head unit into the back of the kit and mount the Brackets to the unit with **(4) 5mm Flat-head Screws** supplied. (see Fig. C)

(If an equalizer will be included, slide the unit into the back of the **Radio Housing** and secure. If an equalizer will NOT be included, snap the **Equalizer Dummy Plate** into the opening).

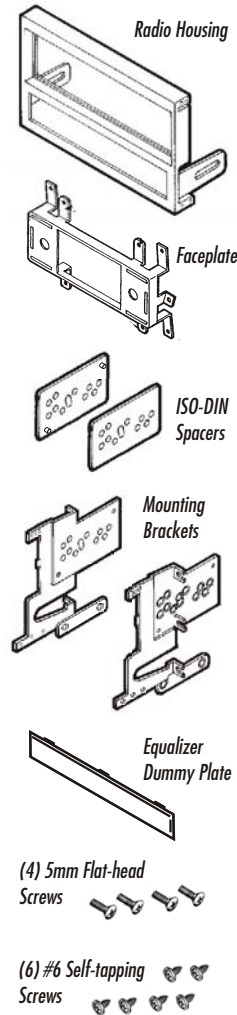


Locate the factory wiring harness in the dash. Metra recommends using the proper mating adaptor and making connections as shown. (Isolate and individually tape off the ends of any unused wires to prevent electrical short circuit).



Re-connect the battery terminal and test the unit for proper operation. Mount the head unit/kit assembly to the sub-dash with (4) Phillips screws removed in step #1.

KIT COMPONENTS



TOOLS REQUIRED



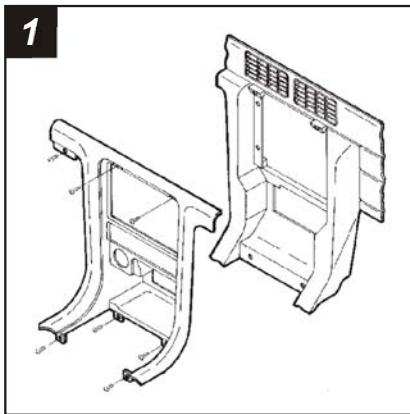
99-7413 INSTALLATION INSTRUCTIONS

APPLICATIONS

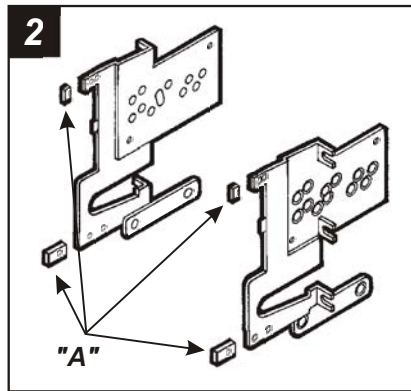
CAR	PAGE
NISSAN	
Altima 1993-97.....	1
Altima 1998-01.....	2



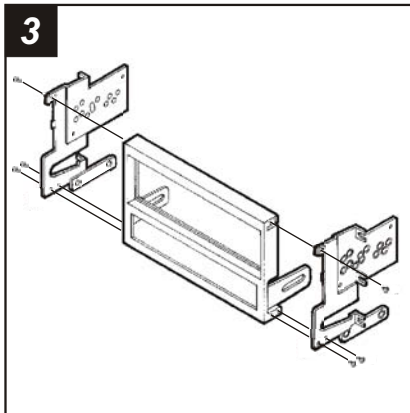
NISSAN Altima 1993-97



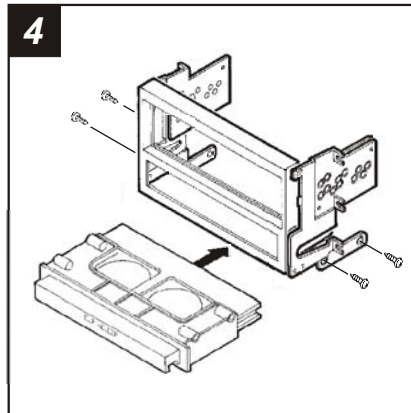
Disconnect the negative battery terminal to prevent an accidental short circuit. Remove the shifter cover and (4) Phillips screws exposed. Remove (2) screws from the driver's side knee bolster and lower. Remove (1) screw from the left corner of the radio trim bezel. Remove (2) screws above the radio opening and unclip the bezel. Remove (4) screws from the factory head unit assembly and disconnect the wiring.



Using the raised lines as a guide, cut and remove the ends of each **Mounting Bracket** ("A").

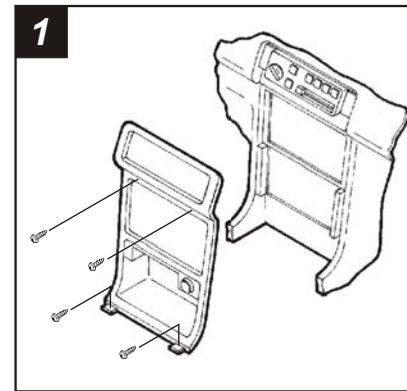


Align the holes in the **Mounting Brackets** with the holes in the **Radio Housing** and mount with (6) #6 Self-tapping Screws supplied.

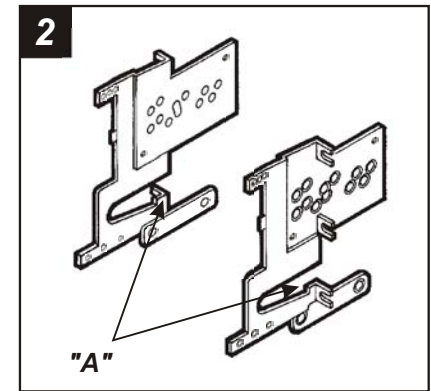


Remove (4) screws securing the cupholder to the factory head unit assembly and remove. Slide the cupholder into the bottom of the **Radio Housing** and mount with the same (4) screws. Skip to the *Installation Instructions for ALL VEHICLES on Page #3*.

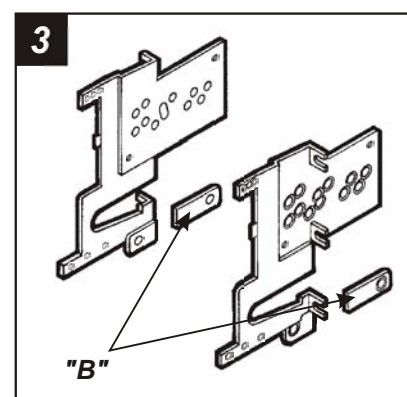
NISSAN Altima 1998-01



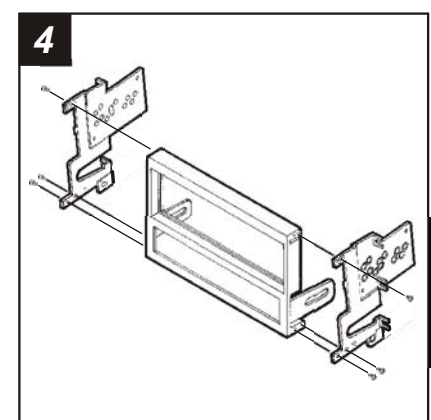
Disconnect the negative battery terminal to prevent an accidental short circuit. Unclip the gear shifter trim bezel and remove (2) Phillips screws exposed. Remove (2) Phillips screws above the radio opening. Unclip the radio trim bezel. Remove (4) Phillips screws from the factory head unit and disconnect the wiring.



Locate the corner of each lower mounting tab on the **Mounting Brackets** ("A").



Using the corner of each mounting tab as a guide, cut and remove the ends of the cupholder mounts from the **Mounting Brackets** ("B").



Align the OUTER holes in the **Mounting Brackets** with the holes in the **Radio Housing** and mount with (6) #6 Self-tapping Screws supplied. (The Brackets will mount on an angle). Skip to the *Installation Instructions for ALL VEHICLES on Page #3*.